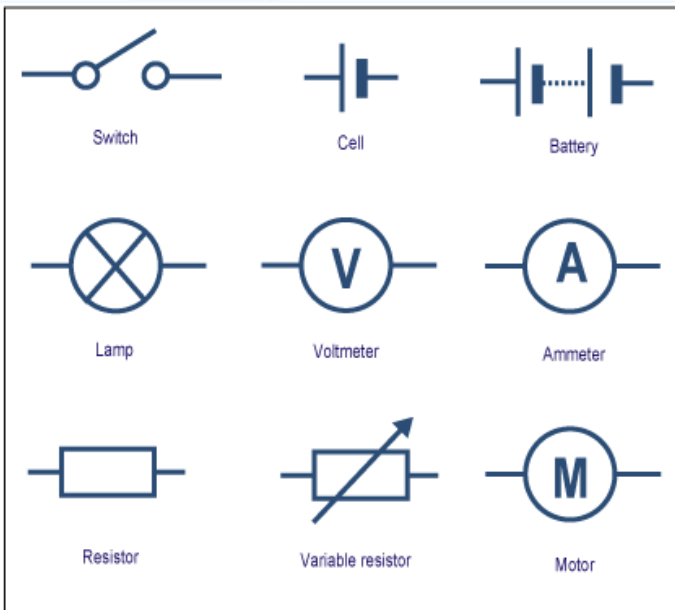


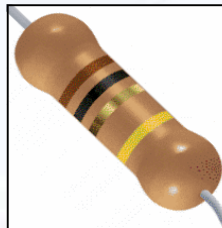
Changing Circuits Fact Sheet



These are some of the **symbols** used when drawing **circuit diagrams**.



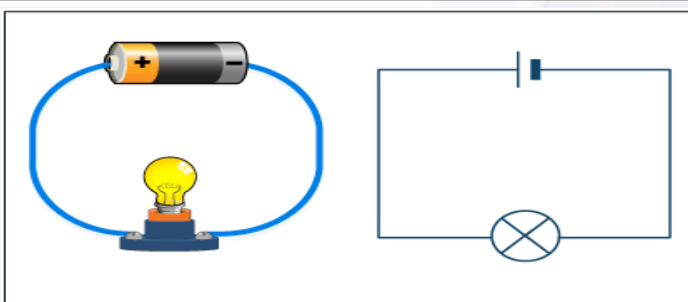
Batteries come in all shapes and sizes.



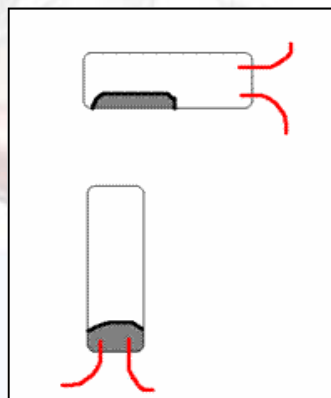
A **resistor** makes it difficult for electricity to **flow** in a circuit.



Mains electricity is delivered to homes and businesses via a network of **sub-stations**, **cables** and **pylons** called the **National Grid**.



Here we can see how a **circuit** is depicted by the **symbols**



Switches cause **breaks** in circuits, interrupting the **flow** of electricity. In this **tilt switch** a blob of mercury completes the circuit when the switch is turned by 90°

Changing Circuits Glossary

appliance - a household device that uses electricity - can be either mains or battery powered	current - a flow of electricity around a circuit	motor - an electrical component which rotates causing something to turn
battery - the power source in a circuit made up of two or more cells	electrical conductor - a material that allows electricity to flow through it e.g. metals	resistor - an electrical conductor that makes it difficult for electricity to flow in a circuit
break - an interruption in the flow of electricity	electrical insulator - a material which <u>does not</u> allow electricity to flow through it e.g. wood	switch - a device that causes a break in the flow of electricity
bulb - an electrical component which lights up in a circuit	fuse - an electrical component which will burn out in order to break a circuit in an emergency	terminal - the end of a cell or battery - each cell has a positive (+) and a negative (-) terminal
buzzer - an electrical component that changes electrical energy into sound	leads - the wires used to join electrical components	terminals - the parts of the battery that need to be connected in the circuit
circuit - a circuit is formed when electricity flows through the electrical components	mains electricity - electricity supplied for use in homes and businesses	tilt switch - a switch that uses gravity to break the circuit
circuit diagram - a diagram that uses conventional symbols to represent the components of an electrical circuit		two way switch - a switch that is connected to two circuits that allows one or the other to function